

OWNER'S MANUAL

SHOTLOCK
CLOSE. SECURE. READY.



SHOTGUN SOLO VAULT

SHOTLOCK
CLOSE. SECURE. READY.



SHOTLOCK™ OWNER'S MANUAL

Thank you for purchasing a ShotLock™ Solo Vault. Now, you can enjoy peace-of-mind knowing your personal defense shotgun is always close, secure and ready. When the first-responder is YOU, there may be no time to fumble with trigger locks or open your gun safe. With ShotLock you're at-the-ready in seconds. This Owner's Manual will guide you in the assembly and installation of your ShotLock Solo Vault on a wall or in a vehicle* to put the security you need, right where you need it, when you need it.

* Before using this product to transport any firearm or mount in any type of vehicle, make sure you are conforming to all applicable local, state and federal laws.

IMMEDIATELY REGISTER YOUR VAULT WITH THE ENCLOSED WARRANTY CARD.

PLEASE CAREFULLY REVIEW YOUR WARRANTY. Your ShotLock Solo Vault is covered by a 2-Year Limited Warranty, which will be honored from the date of purchase by the original owner provided that the **accompanying postage paid registration card** is returned to us within 30 days of purchase.

TABLE OF CONTENTS

- Page 4** - Features
- Page 4** - Parts List
- Page 5-6** - Assembly
- Page 7** - Operation
- Page 8** - Changing Combination
- Page 9** - Mounting
- Page 10** - Troubleshooting
- Page 11** - Warranty
- Back Cover** - Customer Service

ShotLock Size: 7.5" x 5.75" x 2.25"
Weight: Approximately 4.5 lbs



SHOTLOCK™ SOLO VAULT FEATURES:

- Secures pump, semi-auto O/U, side by side and some pistol grip shotguns*
- 14 gauge steel construction
- Double locking hooks
- 1000+ combination programmable push-button lock
- Reversible left or right opening door
- Fully adjustable Trigger Blocks
- Pump Action Hanger
- Foam Bed Liner
- Multiple mounting holes
- **MADE IN THE USA**

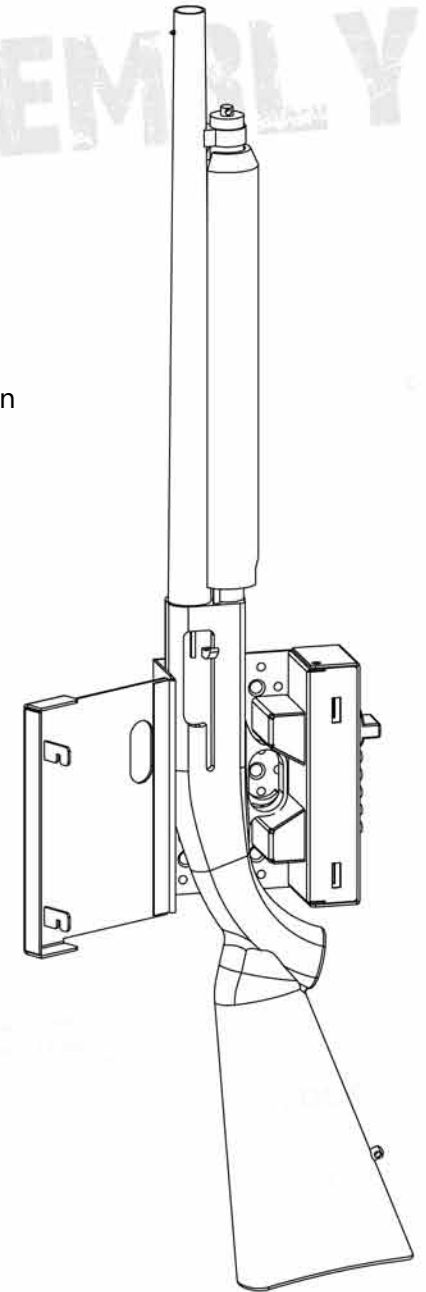
*Ghost rings, scopes or side saddle shell carriers will not work with this product.



ASSEMBLING YOUR SHOTLOCK™ SOLO VAULT

Semi-auto and O/U Shotguns

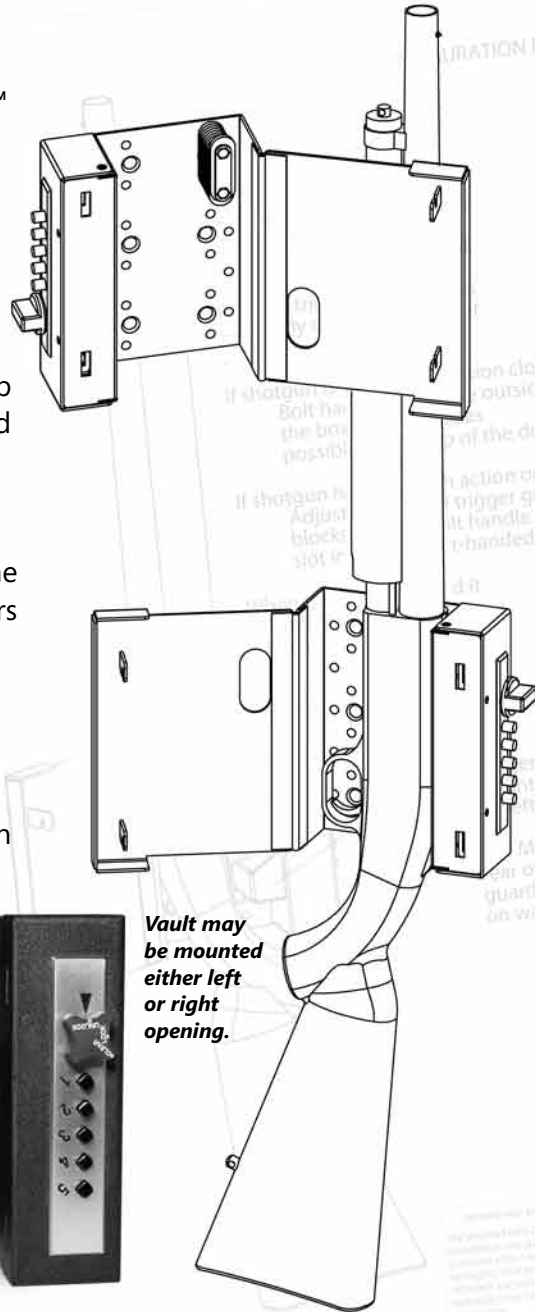
1. Lay vault down either left or right opening, as preferred.
2. Lay shotgun down inside vault with bolt handle pointing up and position Trigger Blocks snugly around trigger assembly.
3. When action is closed, bolt handle should be outside the vault, but as close as possible to the top of the door.
4. When action is open, handle will protrude through the hole in the door.
5. For left-handed shotguns Trigger Blocks may be mounted on the left.
6. Trace the positions of the Trigger Blocks onto the Foam Bed Liner Template, then use the template to cut Foam Bed Liners to fit around Trigger Blocks.
7. Using M5x14mm screws attach Trigger Blocks to securely confine trigger assembly inside vault.
8. Insert Foam Bed Liners.
9. Adhere ShotLock logo to front of vault.



ASSEMBLING YOUR SHOTLOCK™ SOLO VAULT - Cont.

Pump Shotguns

1. Lay vault down either left or right opening, as preferred.
2. For left-handed shotguns, Pump Action Hanger may be mounted top left.
3. Trace the position of the Pump Action Hanger onto the Foam Bed Liner Template, then use the template to cut Foam Bed Liners to fit around Hanger.
4. Using M5x14mm screws attach Pump Action Hanger to inside of vault.
5. Insert Foam Bed liners.
6. With action open, place ejection port over Pump Action Hanger.
7. Adhere ShotLock logo to front of vault.



Vault may be mounted either left or right opening.

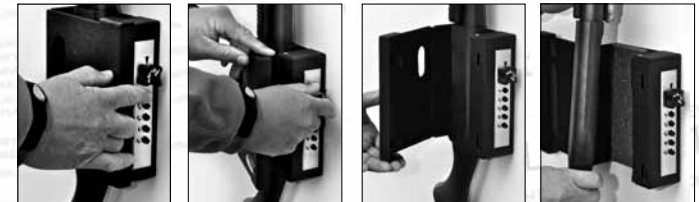
OPERATING THE PUSHBUTTON LOCK

To Unlock

1. Turn knob left (counter-clockwise) to CLEAR position and release. Knob will spring back to LOCK position and activate the buttons.
2. Enter current combination. (The current factory set combination is #1, then #3, then #5.)
3. Turn knob right (clockwise) to UNLOCK position and open door.
4. Leave knob in UNLOCK position so that the ShotLock is in open position to receive the door.

To Lock

1. Make sure knob is in the UNLOCK state so that the ShotLock is in the open position to receive the door.
2. Close door.
3. Turn knob left (counter-clockwise) to CLEAR position and release. Knob will spring back to LOCK position.



To unlock, push buttons, turn knob, open door and pull shotgun out in seconds!



CHANGING COMBINATION CODE

You can easily change your combination using one, all five, or any number of buttons in any order. Two or more buttons may be pushed at a time, but each button can only be used once. Simple two and three button combinations are easy to remember and still provide top security.

1. Open door and turn knob left (**counter-clockwise**) to CLEAR position and release.
2. Remove two screws at either end of locking bar and remove lock cover.
3. Enter current combination.
4. Depress reprogram button (**marked red**) inside the lock (at opposite end from knob).
5. Turn knob left (**counter-clockwise**) to CLEAR position and release. This clears the current combination.
6. Press buttons firmly in desired sequence for new combination.
7. Turn knob right (**clockwise**) to UNLOCK position. This sets the new combination.
8. Replace cover.



Lock Cover Screw

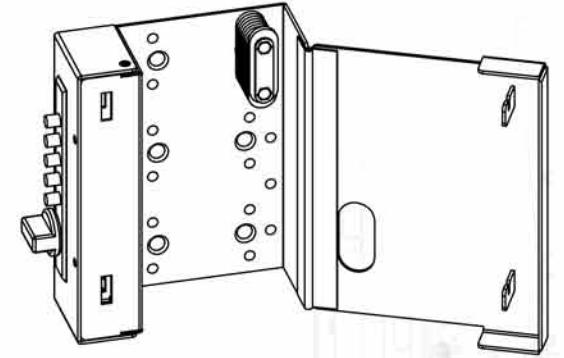


Reprogram Button

RECORD NEW COMBINATION AND KEEP IN A SAFE PLACE.

Should you lose your combination, contact customer service at 800-967-8107 for instructions on resetting unknown combination codes.

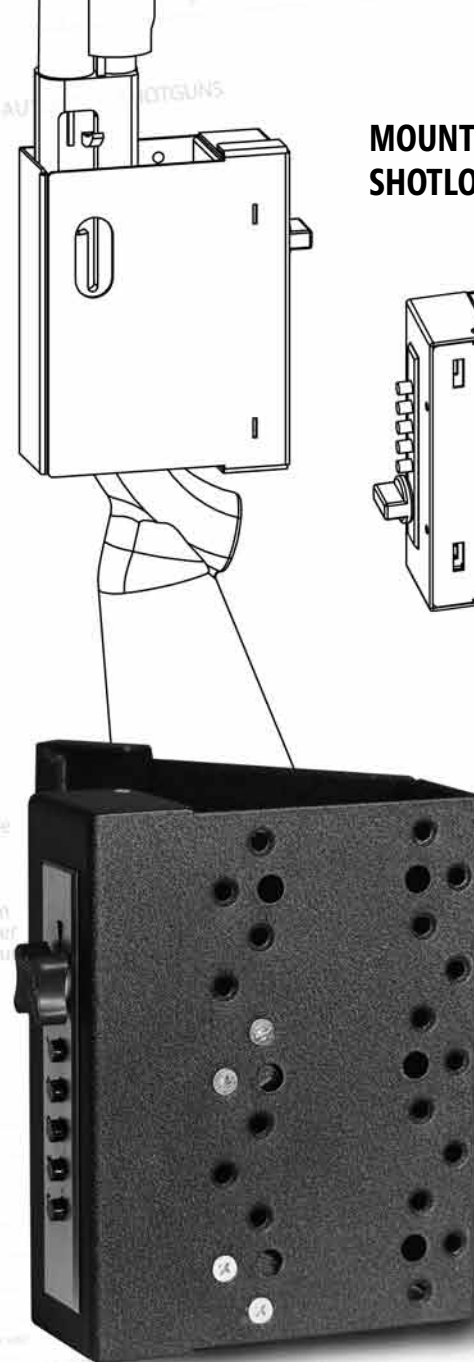
MOUNTING YOUR SHOTLOCK™ SOLO VAULT



RIGHT DOOR MOUNT

Hanger may also be mounted on opposite side to reverse the direction the door opens.

1. Securely attach vault in convenient location with Vault Mounting Screws.
2. Fit Foam Bed Liners inside vault.



TROUBLESHOOTING

PROBLEM 1

1. Knob will not turn after current combination has been entered.

POSSIBLE CAUSE

- a) Combination entered incorrectly or buttons not pressed firmly enough.
- b) Knob turned the wrong way.

SOLUTION

- a) Turn knob counter-clockwise to **CLEAR** buttons and reenter combination, making sure each button "**clicks**" when pushed.
- b) Reenter combination and turn knob clockwise to **UNLOCK** position.

PROBLEM 2

2. Buttons do not "**click**" when pressed.

POSSIBLE CAUSE

- a) Buttons were already pressed and not cleared.
- b) Buttons were not pressed firmly enough.

SOLUTION

- a) Turn knob counter-clockwise to **CLEAR** buttons.
- b) Turn knob counter-clockwise to clear buttons, then press each button until it "**clicks.**"

For all Customer Service questions call us toll free: **800-967-8107.**

SHOTLOCK™
CLOSE. SECURE. READY.

LIABILITY DISCLAIMER AND FULL WARRANTY

TruckVault, Inc. guarantees to the original purchaser that the ShotLock™ Mini Vault ("the product") is free from defects in material and workmanship for a period of 2 years (24 months) from the date of purchase.

In the event of any defects in material or workmanship, TruckVault's sole liability shall be to repair or replace the defective product or components, at its sole discretion. Allow six to eight weeks for repair or replacements.

The conditions and extent of the Warranty are as follows:

- If it becomes necessary to send the product to TruckVault, the product must be shipped in its original carton or equivalent, fully insured with all shipping charges prepaid. TruckVault is not responsible for any loss or damage incurred in shipping.
- Advance return authorization is required from our Customer Service Department (**800-967-8107**). If service on the product is required during the warranty period, obtain the authorization and send your product, together with a copy of your sales receipt with date of purchase (required), name, street, daytime telephone number and (if available) e-mail address to: **ShotLock, c/o TruckVault, P.O. Box 734/211 Township Street, Sedro-Woolley, WA 98284-0734**
- This Warranty is void if (except for law enforcement personnel) the product is used for commercial purposes, or if service has been performed on the product by anyone other than TruckVault.
- This Warranty does not apply to any product that has been altered, misused, neglected or which has been used other than in accordance with the furnished instructions.
- Except to the extent prohibited by law, all implied warranties are disclaimed, including fitness for a particular purpose, merchantability and course of dealing or trade, and in no event shall they have greater duration than the warranty period set forth above.
- Under no circumstances shall TruckVault or its vendors be liable for any loss or any damage, injury or death, or direct, incidental, consequential or punitive damages arising out of or attributable to the malfunction, use or inability to use (including but not limited to because of a lost, misplaced, stolen or forgotten code) the product.
- Some states do not allow limitations on how long an implied warranty lasts or limitations or incidental or consequential damages, so THE ABOVE LIMITATIONS OR EXCLUSIONS MAY NOT APPLY TO YOU. THIS WARRANTY GIVES YOU SPECIFIC LEGAL RIGHTS, AND YOU MAY ALSO HAVE OTHER RIGHTS, WHICH VARY FROM STATE TO STATE.

CONFIGURATION FOR USE WITH SEMI-AUTOMATIC SHOTGUNS

Semi-auto shotguns must be mounted with bolt handle pointing away from the wall.

Position trigger guard blocks to securely confine the trigger guard.

If shotgun is stored with action closed: Bolt handle should be outside the box but as close as possible to the top of the door.

If shotgun is stored with action open: Adjust position of trigger guard blocks to align bolt handle with slot in door. (Right-handed shotguns only)

When the door is closed it should prevent the action from being opened.

CUSTOMER SERVICE

For all Customer Service questions call us toll free:

P: **800-967-8107** F: **360-855-2239**

Or write:

ShotLock c/o TruckVault

P.O. Box 734/211 Township Street
Sedro-Woolley, WA 98284-0734

Or Email: **info@truckvault.com**

Or visit our website: **www.shotlock.com**

SHOTLOCK™
CLOSE. SECURE. READY.

SAFETY WARNING: Firearms are inherently dangerous and use of this product requires care and attention. Weapon storage, security and use are your personal responsibilities. Since TruckVault has no control over the firearm you use, the ammunition you carry and the manner in which you use the firearm or ammunition, it disclaims all related responsibility and liability. Your use of our product is at your own risk.

Using appropriate safety precautions with a loaded firearm is the sole responsibility of the person(s) using or handling the product. The user takes full responsibility for careless, inappropriate, improper, incorrect or negligent use of this product or related firearm. TruckVault and its vendors are not responsible for the misuse or mishandling of this product or of any weapon in connection with the product, nor for any personal injury, death or damage to you, or to anyone else, to any property or your weapon or anyone else.