



# Vault Lighting Kit

Model: LED-RL-P-10mm-12

120V, 60 Hz., 0.08A

Product #222-020 / Instruction #1012335

## STOP!

If you have a problem with this product, **DON'T RETURN IT TO THE STORE WHERE YOU PURCHASED IT.** Contact customer service at...

**Battenfeld**  
Technologies, Inc.

5885 West Van Horn Tavern Road / Columbia, MO 65203  
573-445-9200 / Email: [sales@battenfeldtechnologies.com](mailto:sales@battenfeldtechnologies.com)  
Or visit our website @ [www.battenfeldtechnologies.com](http://www.battenfeldtechnologies.com)

## NOT WARRANTIED AGAINST MISUSE, ABUSE, OR COMMERCIAL USE.

### Limited Warranty

Every LOCKDOWN product is warrantied to be free of defects in materials and workmanship for a period of one (1) year from the date of original purchase. LOCKDOWN will, at its option, repair or replace without charge, except for transportation costs, parts that fail under normal use and service when operated and maintained in accordance with our Instructions. This warranty does not apply to normal wear or to items whose life is dependent upon their use and care. This warranty is in lieu of all other warranties, expressed or implied and releases LOCKDOWN, its affiliates, and its vendors from all other obligations and liabilities.

Thank you for purchasing a LOCKDOWN Vault Lighting Kit. When properly used, it will provide you with years of trouble free service. Please read all instructions below before installing the light.

### The Vault Lighting Kit includes the following components:

- (1 ea.) 12 foot section of rope light
- (12 ea.) rope mounting clips and fasteners
- (1 ea.) 6 foot power cord with on/off switch
- (1 ea.) quick install power cord plug

### READ AND FOLLOW ALL SAFETY INSTRUCTIONS:

- Do not cover this product as the covering may cause the flexible light to overheat and melt or ignite.
- Do not operate with the flexible light tightly coiled.
- Do not puncture, cut, shorten, or splice the flexible lighting system.
- Do not route the cord or flexible lighting through walls, doors, windows or any like part of the building structure.
- Do not use if there is any damage to the light or cord insulation. Inspect periodically.
- Do not submerge flexible light in liquids, or use the product in any vicinity of standing water or other liquids.
- Secure this flexible light using only the hangers or clips provided. Do not secure this product or it's cord with staples, nails, or like means that may damage the insulation or permanently attach to the building structure.
- Do not subject flexible lighting to continuous flexing.
- Do not exceed the length in feet permitted by the marking.
- This product has a polarized plug (one blade is wider than the other) as a feature to reduce the risk of electric shock. This plug will fit in a polarized outlet only one way. If the plug does not fit fully in the outlet, reverse the plug. If it still does not fit, contact a qualified electrician. Do not use with an extension cord unless plug can be fully inserted. Do not alter or replace the plug.

### AVERTISSEMENT: Risque d'incendie et de choc électrique

- Ne pas couvrir ce produit, car cela pourrait le faire surchauffer, faire fondre ou s'enflammer.
- Ne pas faire fonctionner le cordon lumineux s'il est enroulé serré. Pour prévenir la surchauffe, ne pas mettre en contact les cordons lumineux entre eux et avec des pièces des cordons lumineux. Assurer un dégagement minimal de 12 mm entre les cordons lumineux ou des composants des cordons lumineux.
- Ne pas perforer, couper, raccourcir un cordon lumineux ni faire des joints dans le cordon.
- Le cordon lumineux ne doit pas traverser un mur, une porte, une fenêtre ou un élément similaire d'une structure.
- Ne pas utiliser si l'isolant du cordon lumineux ou du cordon d'alimentation est endommagé. Inspecter périodiquement.

**Continué: AVERTISSEMENT: Risque d'incendie et de choc électrique**



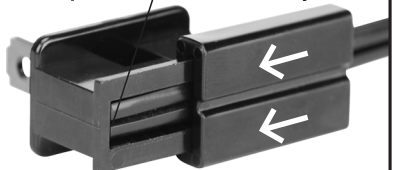

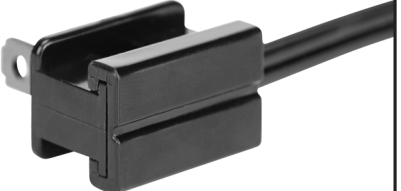
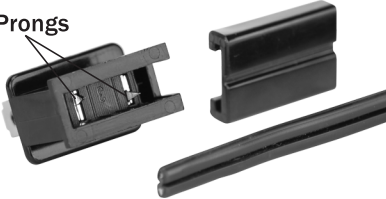
- Ne pas immerger le cordon lumineux.
- Fixer ce cordon lumineux seulement avec les brides ou les attaches fournies. Ne pas fixer ce produit ou son cordon d'alimentation à l'aide d'agrafes, de clous ou d'un moyen qui peut endommager l'isolant.
- Pour les ensembles extensibles: NE PAS DEPASSER LE NOMBRE MAXIMAL DE SEGMENTS PROLONGATEURS OU DE TRONCONS DE CORDONS LUMINEUX AUTORISE SUR LE MARQUAGE.
- Ne pas installer le cordon lumineux sur une barrière ou une porte si cela le soumettra à la flexion.
- Ne pas installer dans une armoire, un réservoir ou une enceinte quelconque.

**Installation Instructions:**

1. Install the electrical cord through the safe wall. From the inside of the safe, push the end of the cord through the wall to the outside. Many safes have a pre-drilled electrical access hole near the bottom usually in the rear. If no access hole exists you will need to drill one. If the safe features an internal safe outlet, you will not need to route the cord through the wall of the safe.
2. Route the rope light throughout the interior of the vault. **Installation Tips:**
  - a: Position the light so it is not directly in the line of sight of the user when looking into the vault. For example, route the rope inside the front wall of the vault around the door. This will project the light back into the vault without shining into the user's eyes. The rope can also be routed on the underside of a shelf, keeping the light out of the line of sight.
  - b: Route the light in a way that will position the in-line on/off switch in a convenient location.
3. Snap the Rod into the mounting clips.
4. Make sure the end of the wire has a clean cut end. If it does not, cut off a small amount of the cord to achieve a clean end. Do not split the wires, see figure 1 (next page). The plug housing has a back cover that will need to be removed, see figure 2 (next page). Once the cover is removed, you will see two prongs, as shown in figure 3 (next page). Place the cord into the cavity with the prongs, making sure that the cord is inserted as far into the housing as possible. Then begin to reinstall the housing cover, as shown in figure 4 (next page). Make sure the cover is completely shut, thus locking the cord inside the plug housing, as shown in figure 5 (next page).
5. Plug the Light into a power outlet.



**TO PREVENT ELECTRIC SHOCK, MATCH WIDE BLADE OF PLUG TO WIDE SLOT. FULLY INSERT. POUR EVITER LES CHOCES ELECTRIQUES, INTRODUIRE LA LAME LA PLUS LARGE DE LA FICHE DANS LA BORNE CORRESPONDANTE DE LA PRISE ET POUSSER JUSQU'AU FOND.**

<p><b>Figure 1</b> Make sure you have a clean cut end on the wire.</p>	<p><b>Right</b>  <b>Wrong</b> </p>	<p><b>Figure 4</b> Place the cord in the channel, making sure the cord is inserted as far as it will go. Then replace the cover as shown.</p>	<p>Insert power cord all the way. </p>
<p><b>Figure 2</b> Remove the plug housing cover as shown. Please note the orientation of this cover as it will need to be reinstalled the same way.</p>		<p><b>Figure 5</b> Make sure the cover is completely shut, thus locking the power cord inside the plug housing as shown.</p>	
<p><b>Figure 3</b> Once the cover is removed, you will see a channel with two prongs. This is where the power cord will be installed.</p>	<p><b>Prongs</b> </p>		