



866-543-8712 www.reedcustom.com

Vertical Slider

Parts List

- Slider Backs and Fronts **Figure A** (Qty.2)
- Middle Arm **Figure B** (Qty.1)
- Base Assembly **Figure C** (Qty.1)
- Easy Lock Gun Holders **Figure D** (Qty.8)
- 10-32x1/4" Panhead Screws (Qty.8)
- Plastic Caps (Qty.8)
- Flat Washers (Qty.12)
- 1/4-20x1/2" Bolts (Qty.4)
- 1/4-20 Nuts (Qty.4)
- 1/4-20x1-3/4" Bolts (4)
- 9" long 3/8" Diameter Metal Rod **Figure G** (Qty.1)
- Tray Pads **Figure H** (Qty.1)

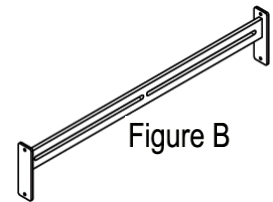


Figure B



Figure D



Plastic Caps (Qty.8)



Flat Washers (Qty.12)



1/4-20x1/2" Bolts (Qty.4)



1/4-20 Nuts (Qty.4)



10-32x1/4" Panhead Screws (Qty.8)

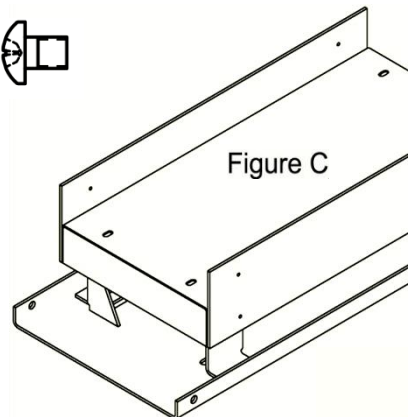


Figure C

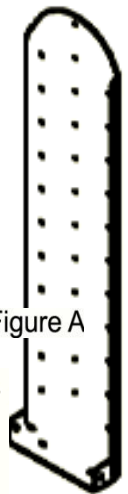


Figure A

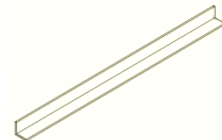


Figure G

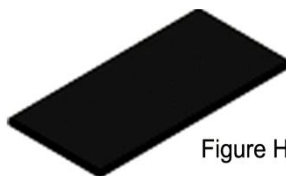


Figure H



Please take note...

It may be necessary to remove any storage units from the door of your safe, depending on the type of storage and if it may interfere with the slider system.

Tools you will need:

- Phillips Screw Driver
- 7/16" Wrench or Socket
- 1/2" Wrench or Socket

Installation Instructions:

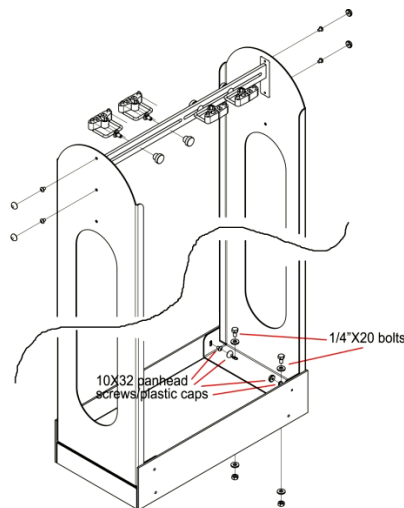
1. Remove the flooring in your safe down to the bottom metal. Measure your slider system to your safe bottom to ensure that you will have 1/2" bottom clearance for the sliders to the door opening bottom.
2. Remove the top trays by extending the tray all the way out from the base and pushing the middle lever arms located under the tray. One goes up and one goes down to remove the tray from the base. See picture below. Remove all trays from base



3. Place the base assembly into the safe with the back lip against the back of the safe.

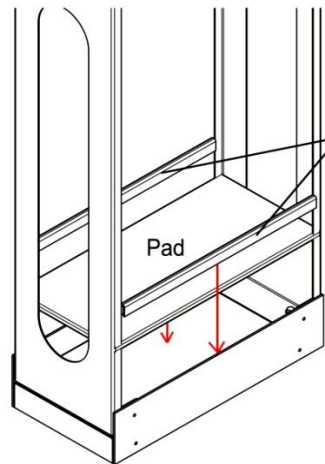


4. Run bolts in slots of slider bottom using 1/2"-20x1-3/4" Bolts and Washers
5. Install the slider backs and fronts to the trays with the bottom four (two on each end) 1/4"x20 bolts and washers first, then install the four (two on each side) 10x32 panhead screws/ plastic caps on slider uprights in the locations as shown below. Keep all the bolts and screws semi-loose until all parts fit together. Next install the middle arm using two 10x32 panhead screws/ plastic caps on each end as shown below. Install the easy lock gun holders on the middle arm by removing the end screw cap and inserting the screw into the middle arm slot and retracting the screw cap.

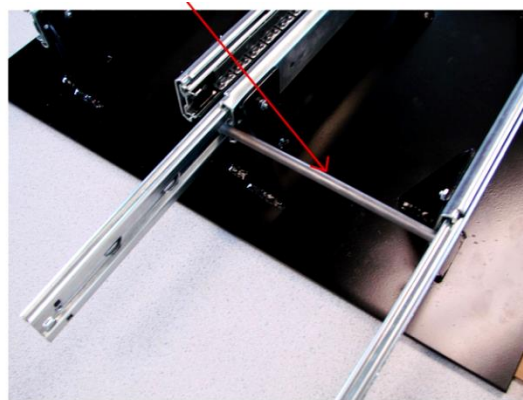




6. Install the bottom slider tray pad.



7. Extend the arms from the base to reinstall the slider trays that now have slider uprights attached to them. Extend both arms and put the 9" rod through the arm slot as shown below.



8. Insert the slider tray into the extended arms and push the slider tray forward onto the arms until you hear two clicks and the slider tray cannot move forward any farther. Then remove the 9" rod and push the slider tray completely onto the base. Repeat for each additional slider. Ensure there is clearance on the sliders



to each other and the door opening before adding guns to your slider system.
Your installation is now complete.