

1

2

3

4

5

6

7

8

9

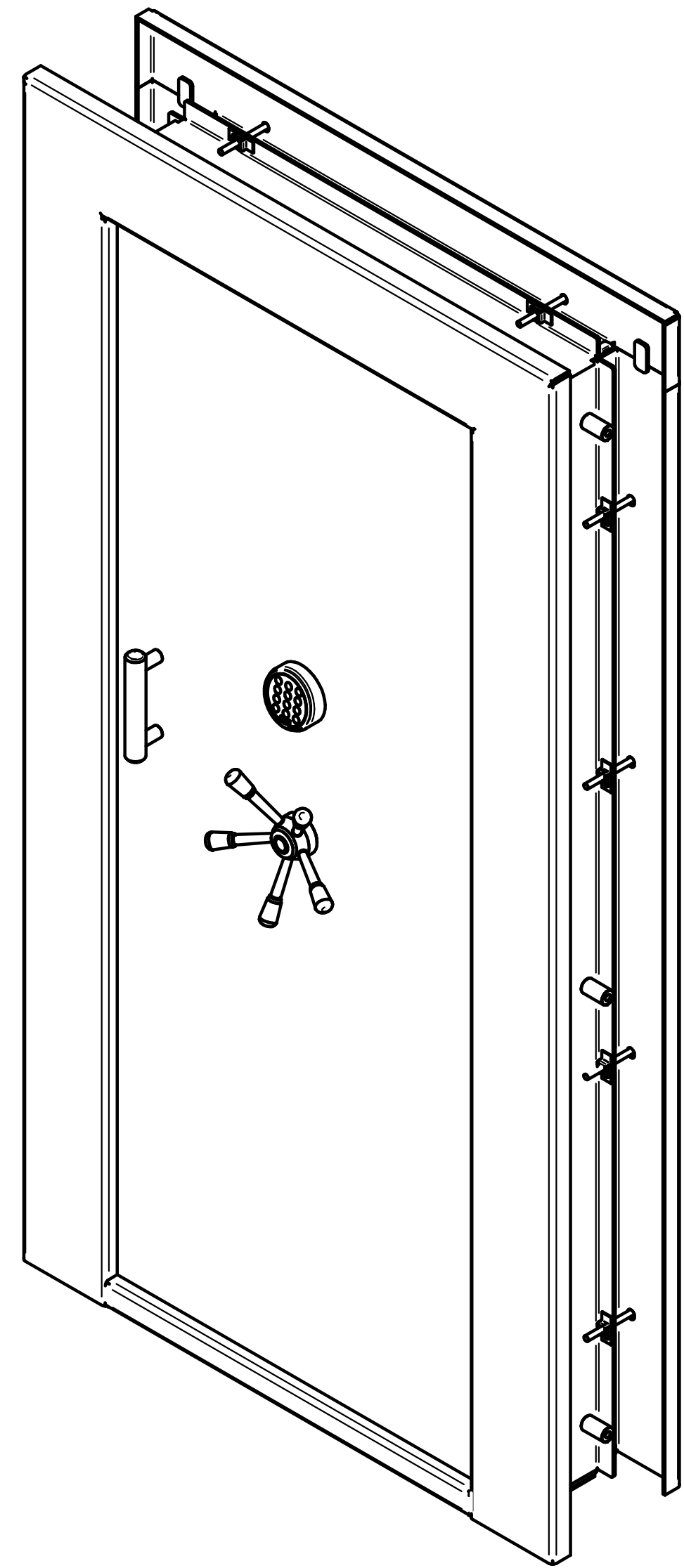
10

11

12

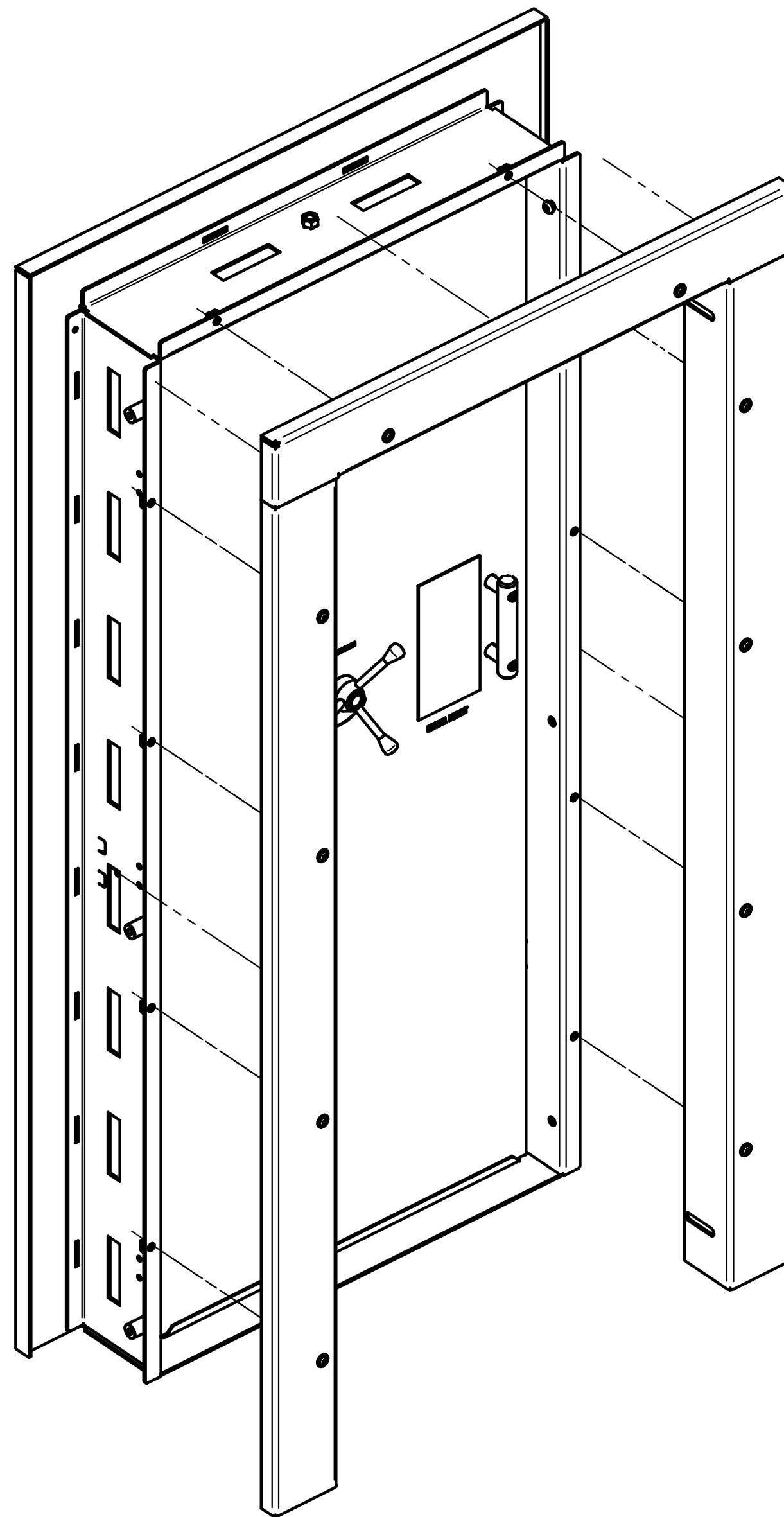
"THE BEAST" INSWING Vault Door by Liberty Safe

Shown: Right Hand Inswing



Front

4 Piece Clamshell Design



Back



All information contained on this document is the sole property of Liberty Safe & Security. Any alteration or reproduction by any method is strictly forbidden without written authorization from Liberty Safe & Security, Inc.	DRAWN	NAME	DATE	LIBERTY SAFE & SECURITY PRODUCTS TITLE DELUXE INSWING VAULT
	CHECKED			
	ENG APPR			
	MGR APPR			SIZE D
	UNLESS OTHERWISE SPECIFIED DIMENSIONS ARE IN INCHES ANGLES ±1.0° 3 PL ±0.075			Rev_2019-06-01 FILE NAME: VDIN-XXX-18F_Specs_2020-04-01.dft
	SCALE: 1:8	WEIGHT:		SHEET 1 OF 5

1

2

3

4

5

6

7

8

9

10

11

12

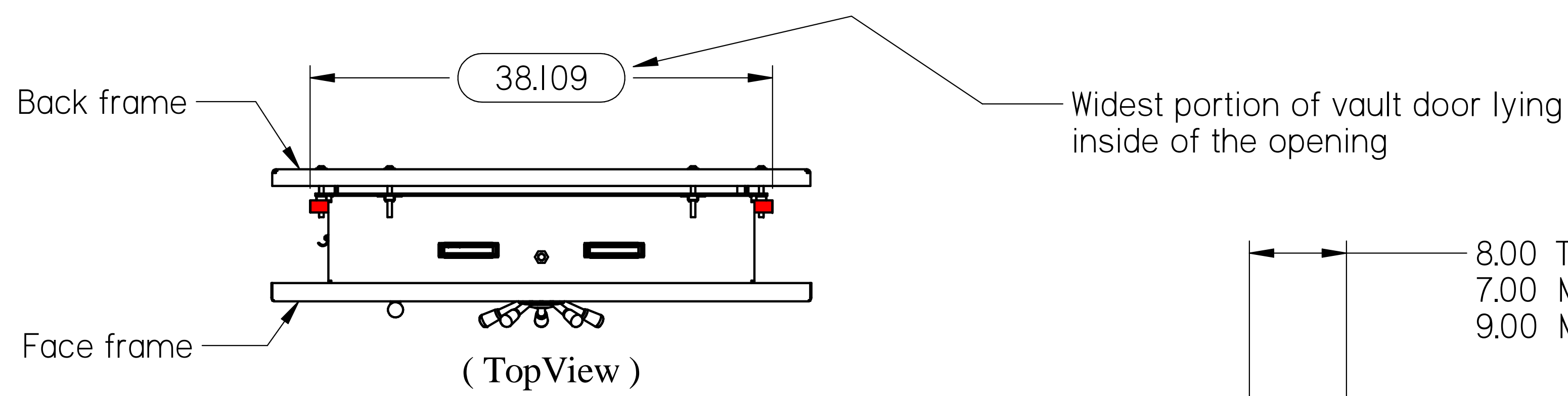
H
G
F
E
D
C
B
A

H
G
F
E
D
C
B
A

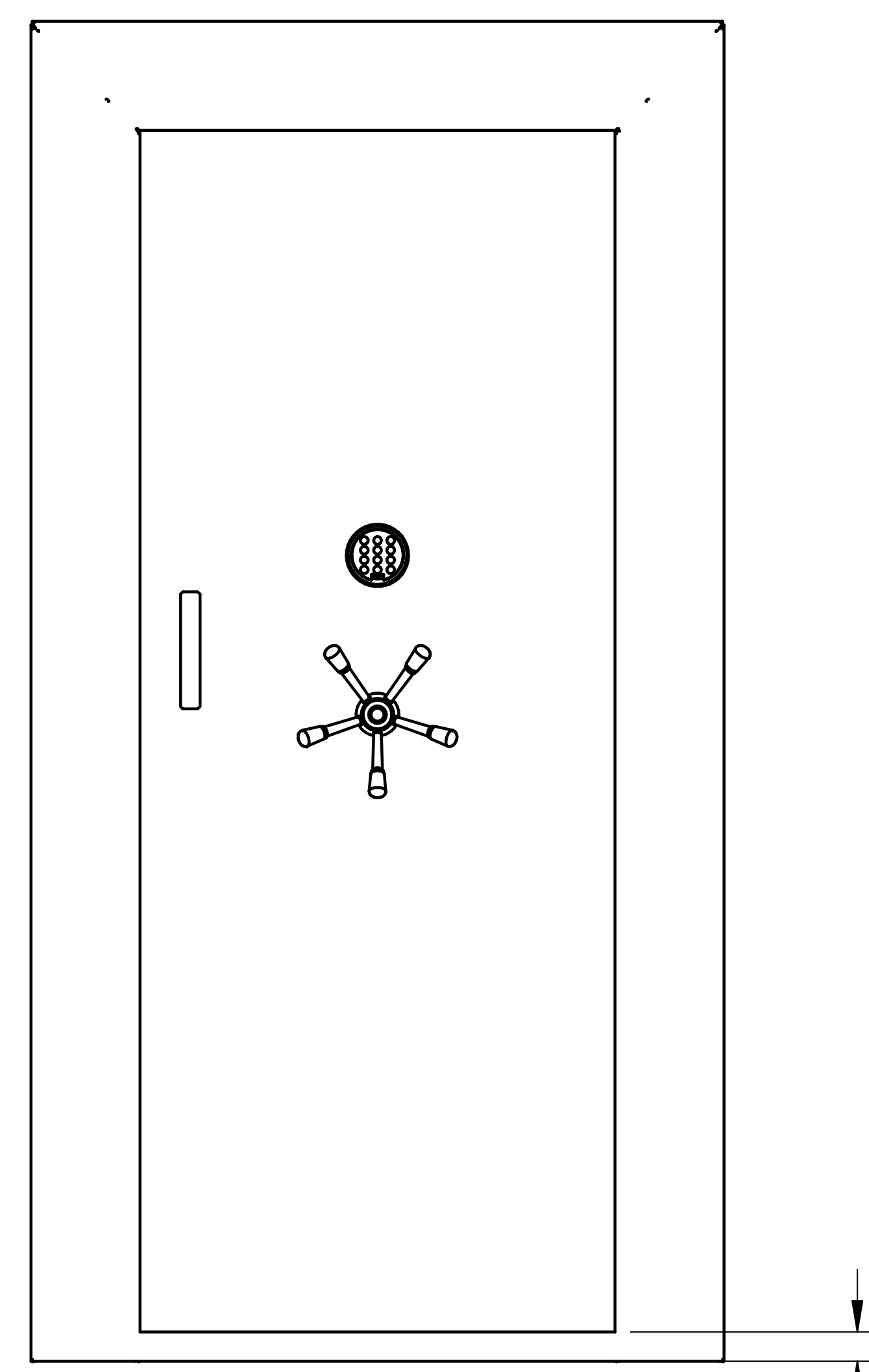
Clearances

Shown: Right Hand Inswing

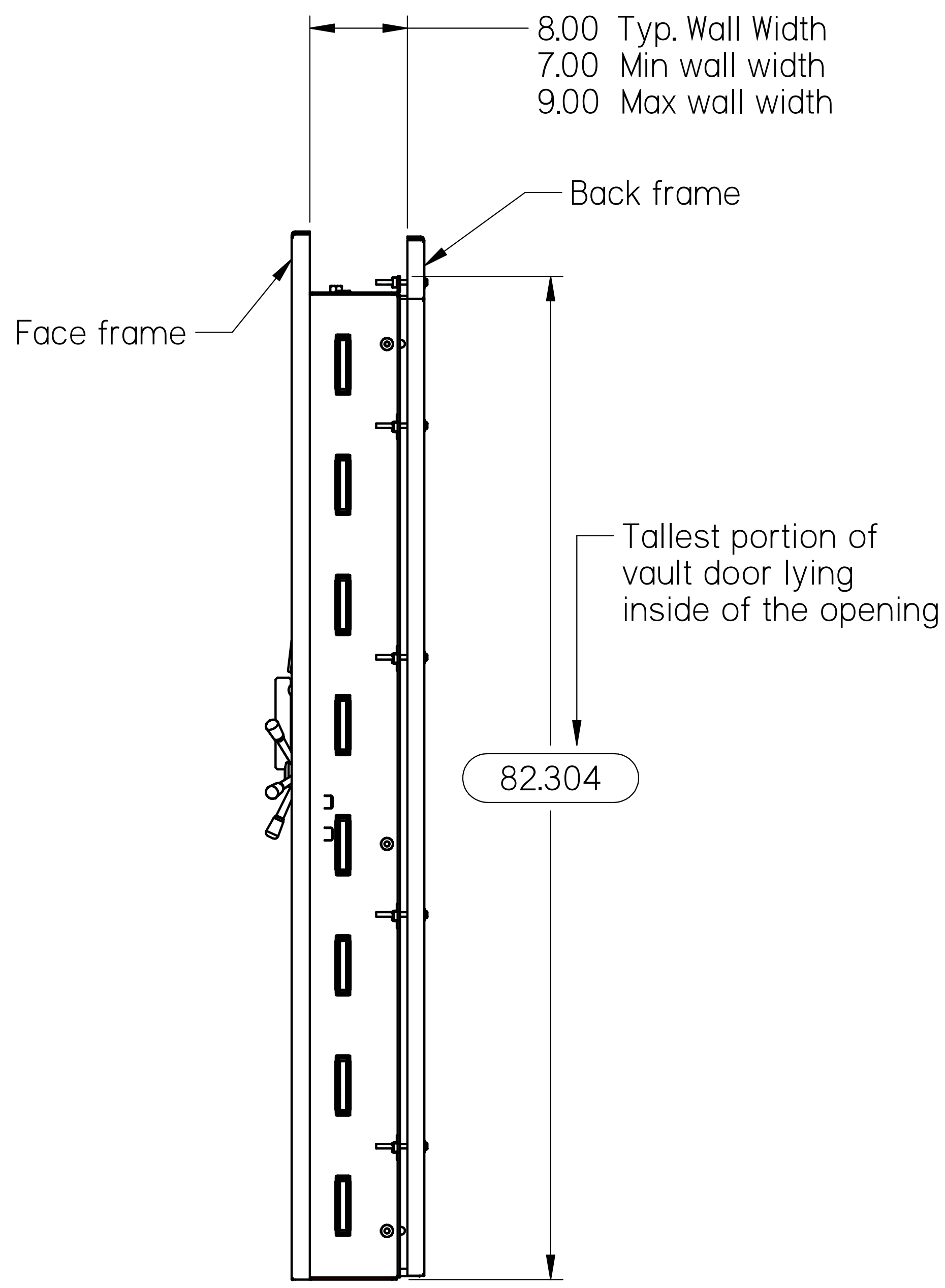
Clearances are the same for Left Hand Inswing



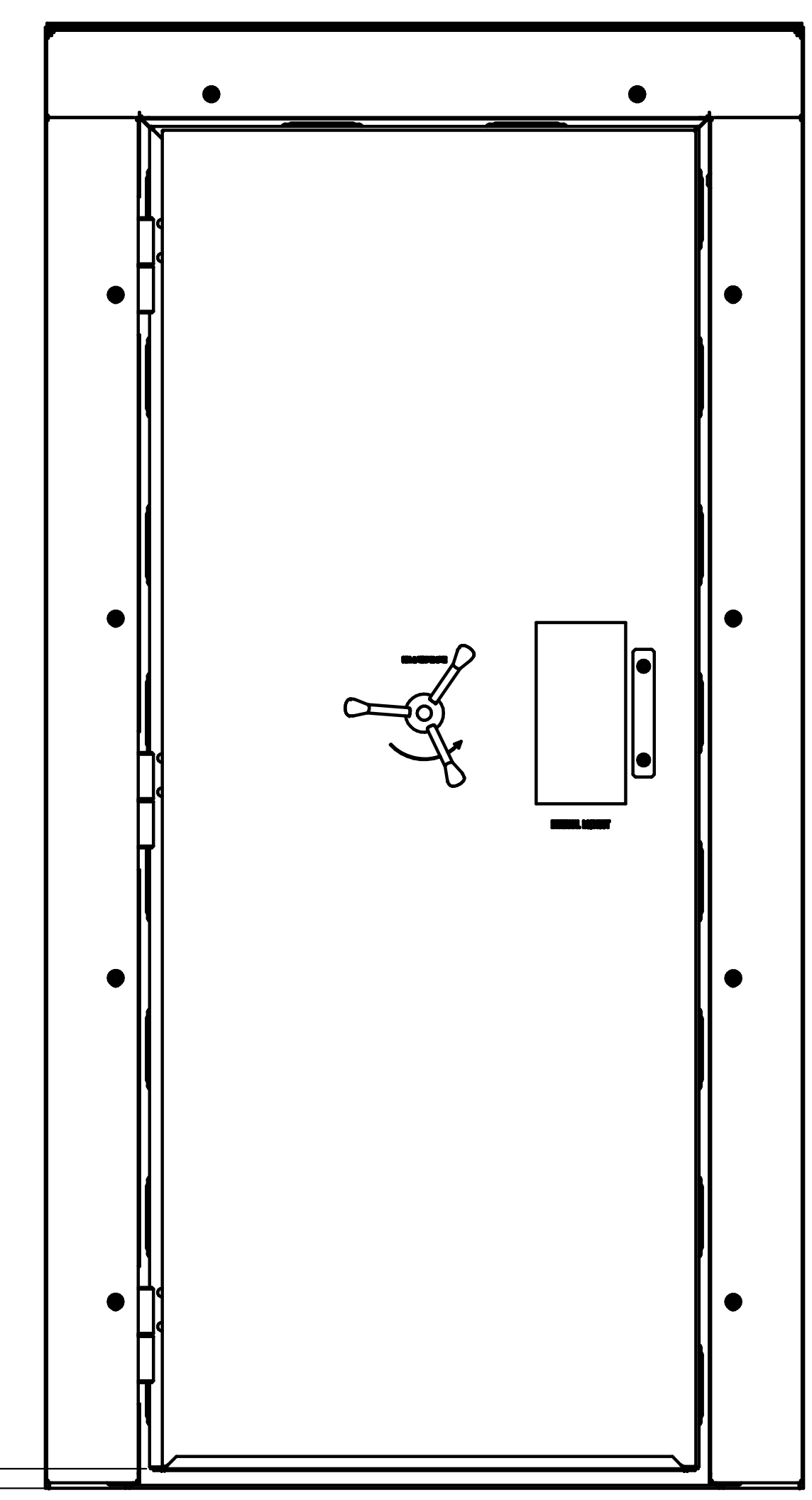
8.00 Typ. Wall Width
7.00 Min wall width
9.00 Max wall width



1.875
Threshold Height



1.150
Door to Floor Clearance



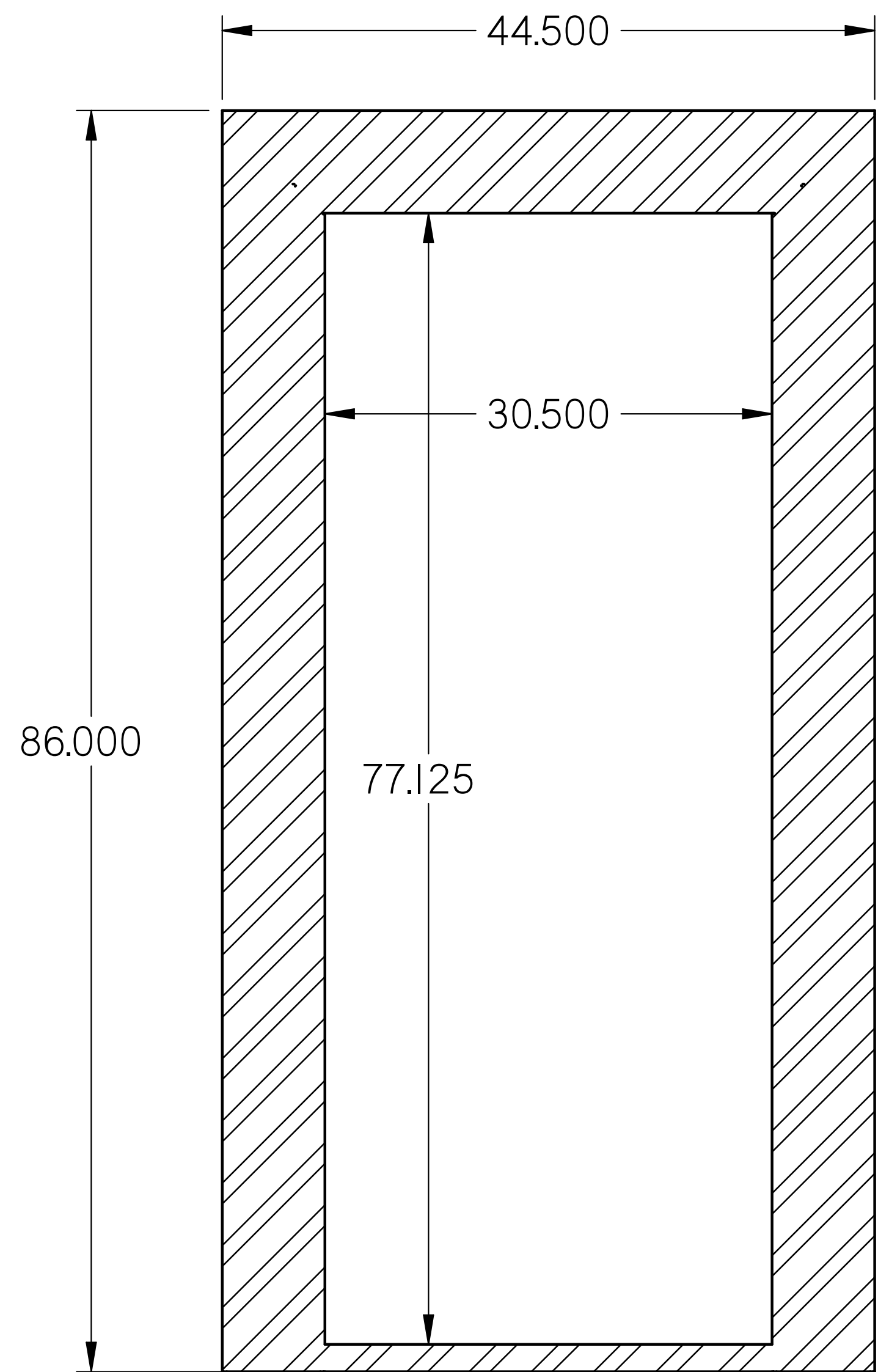
All information contained on this document is the sole property of Liberty Safe & Security. Any alteration or reproduction by any method is strictly forbidden without written authorization from Liberty Safe & Security, Inc.	NAME	DATE	LIBERTY SAFE & SECURITY PRODUCTS
	ryand	04/13/20	
	CHECKED		TITLE
	ENG APPR		DELUXE INSWING VAULT
MGR APPR		SIZE	Rev_2019-06-01
UNLESS OTHERWISE SPECIFIED DIMENSIONS ARE IN INCHES		FILE NAME:	VDIN-XXX-18F_Specs_2020-04-01.dft
ANGLES ±1.0°		SCALE:	1:8
3 PL ±0.075		WEIGHT:	SHEET 2 OF 5

Front and Back Frame Dimensions

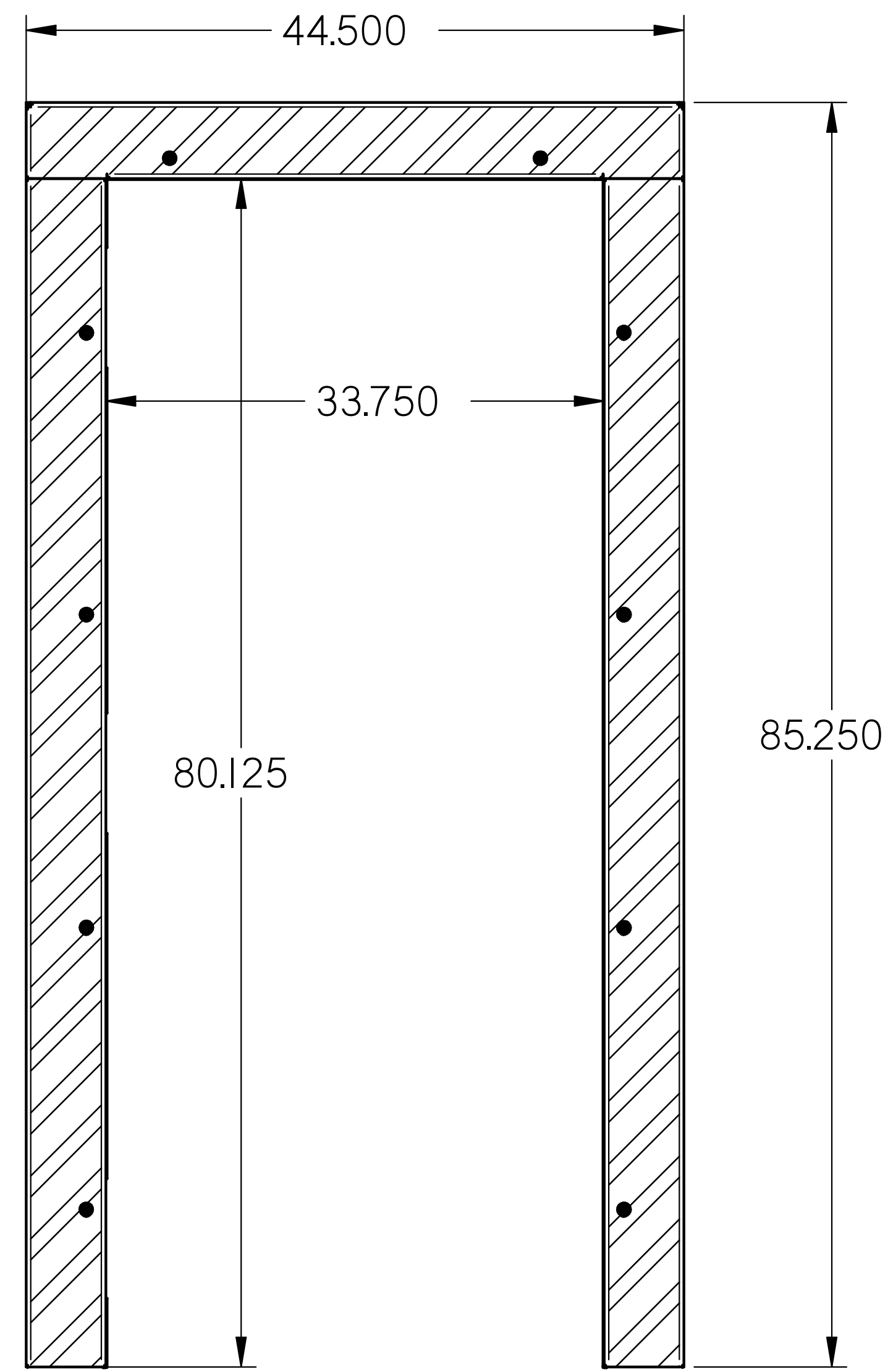
Shown: Right Hand Inswing

Dimensions are the same for Left Hand Inswing

This shows the amount of space that the vault door will use on the wall.



Face Frame
(Front)



Back Frame
(Back)

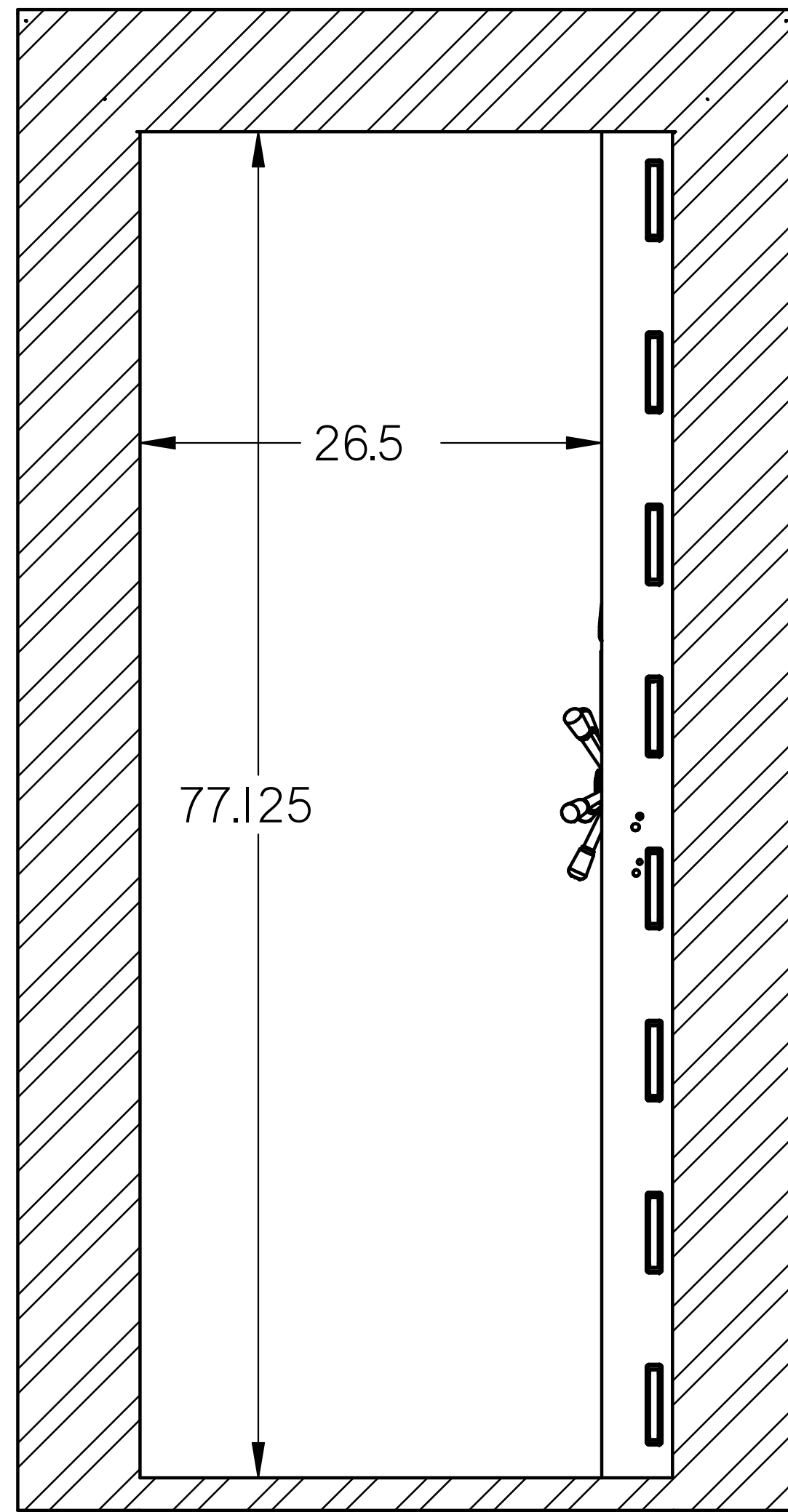


All information contained on this document is the sole property of Liberty Safe & Security. Any alteration or reproduction by any method is strictly forbidden without written authorization from Liberty Safe & Security, Inc.	NAME	DATE	LIBERTY SAFE & SECURITY PRODUCTS TITLE DELUXE INSWING VAULT SIZE D Rev_2019-06-01 FILE NAME: VDIN-XXX-18F_Specs_2020-04-01.dft SCALE: 1:8 WEIGHT: SHEET 3 OF 5	
	DRAWN	ryand		04/13/20
	CHECKED			
	ENG APPR			
MGR APPR				
UNLESS OTHERWISE SPECIFIED DIMENSIONS ARE IN INCHES ANGLES ±1.0° 3 PL ±0.075				

Walk Through Clearances

Shown: Right Hand Inswing

Dimensions are the same for Left Hand Inswing



Door allowed to open at 90°
(Front View)



All information contained on this document is the sole property of Liberty Safe & Security. Any alteration or reproduction by any method is strictly forbidden without written authorization from Liberty Safe & Security, Inc.	DRAWN	NAME	DATE	LIBERTY SAFE & SECURITY PRODUCTS
	CHECKED			
	ENG APPR			TITLE
	MGR APPR			DELUXE INSWING VAULT Rev_2019-06-01
UNLESS OTHERWISE SPECIFIED DIMENSIONS ARE IN INCHES ANGLES ±1.0° 3 PL ±0.075				SIZE D
			FILE NAME: VDIN-XXX-18F_Specs_2020-04-01.dft	
		SCALE: 1:8	WEIGHT:	SHEET 4 OF 5

Opening Requirements

Shown: Typical rough opening for a normal 36" wide x 80" tall door in a foundation wall

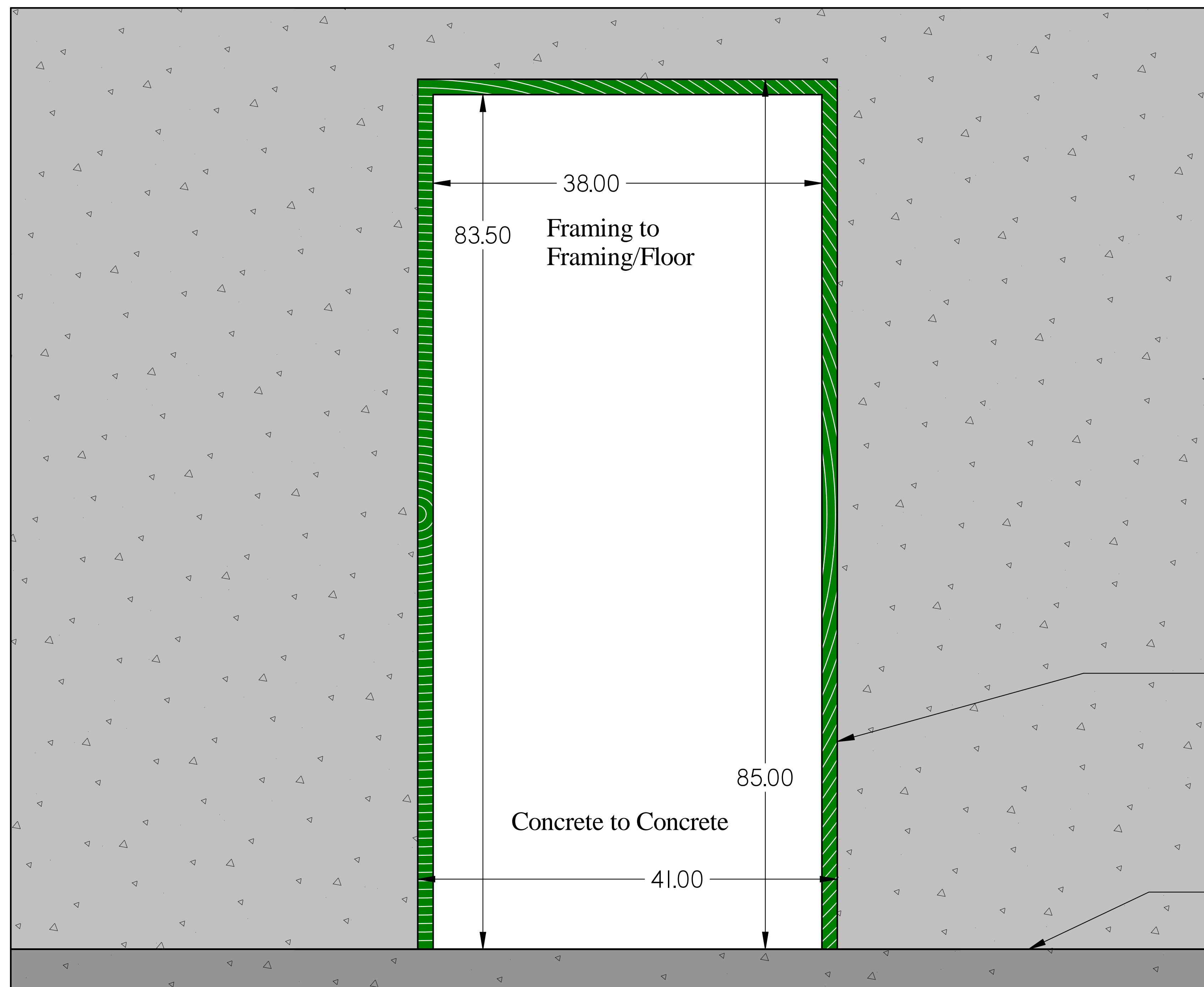
The DELUXE INSWING vault door will accommodate any opening that is between:

39"-42" Wide

82.5"-85" Tall

7"-9" Wall Thickness

These values may vary slightly based on the squareness of the opening.



Treated lumber is often secured to the concrete so that a door may be fastened to the opening. This may be cut or modified as needed.

Top of floor



All information contained on this document is the sole property of Liberty Safe & Security.		UNLESS OTHERWISE SPECIFIED DIMENSIONS ARE IN INCHES	LIBERTY SAFE & SECURITY PRODUCTS
Any alteration or reproduction by any method is strictly forbidden without written authorization from Liberty Safe & Security, Inc.	ANGLES ±1.0° 3 PL ±0.075	FILE NAME: VDIN-XXX-18F_Specs_2020-04-01.dft	DELUXE INSWING VAULT
		SCALE: 1:1	Rev_2019-06-01
		WEIGHT:	SHEET 5 OF 5