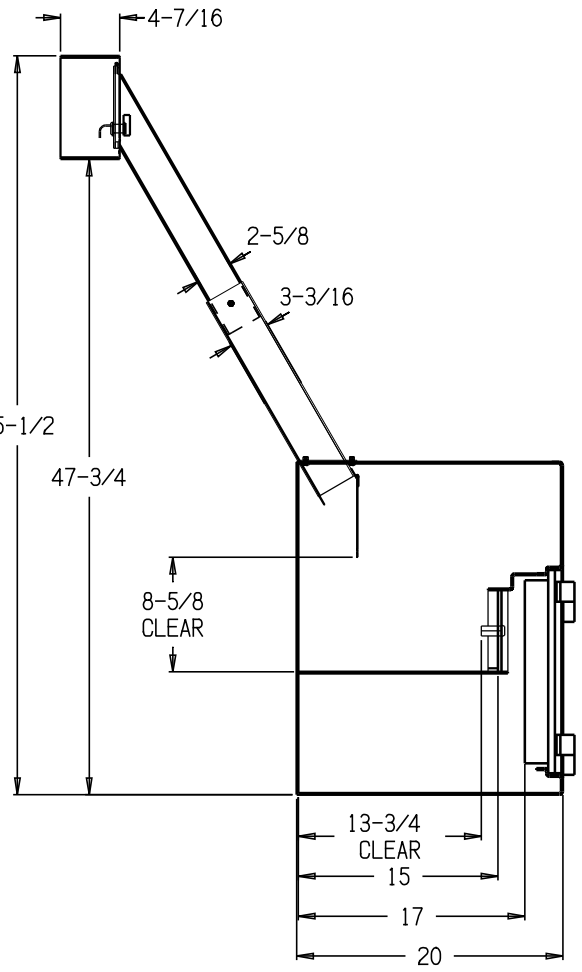
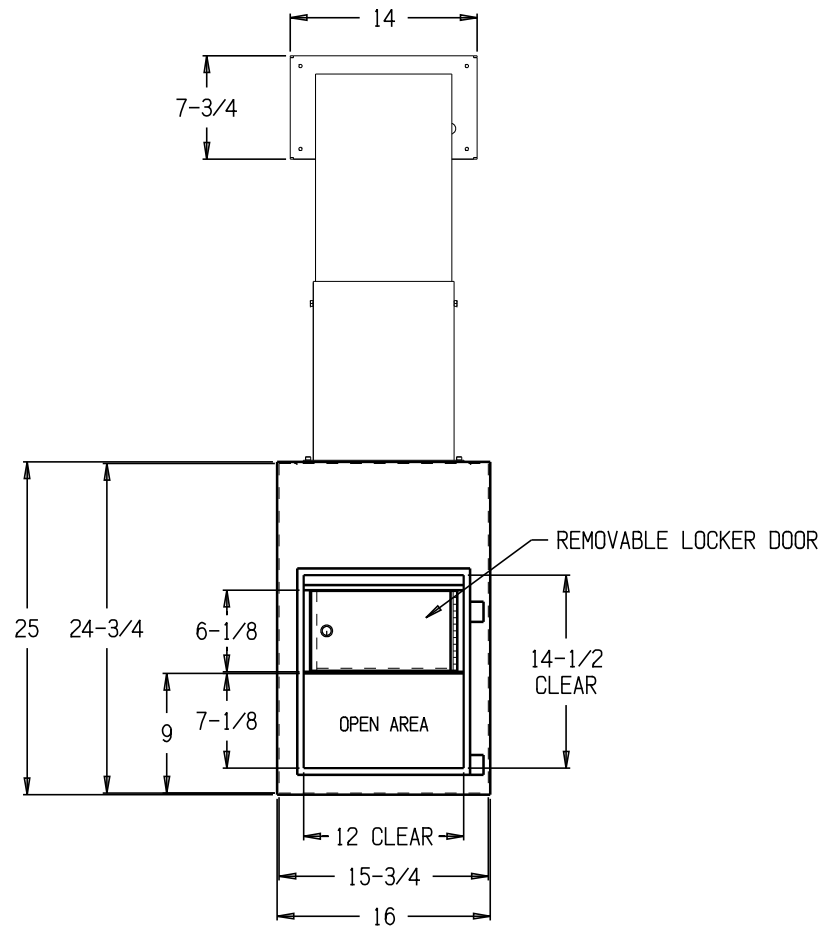


REVISIONS			
REV	DESCRIPTION	DATE	BY

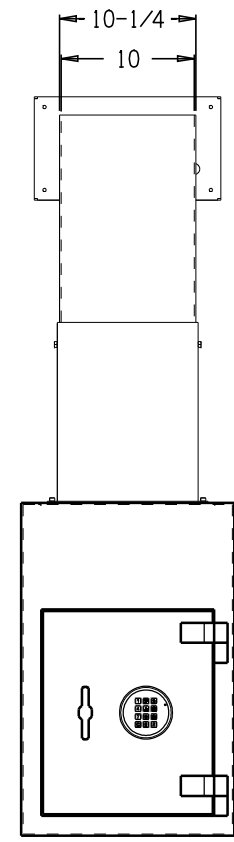


SECTION VIEW

MAXIMUM
CHUTE HEIGHT



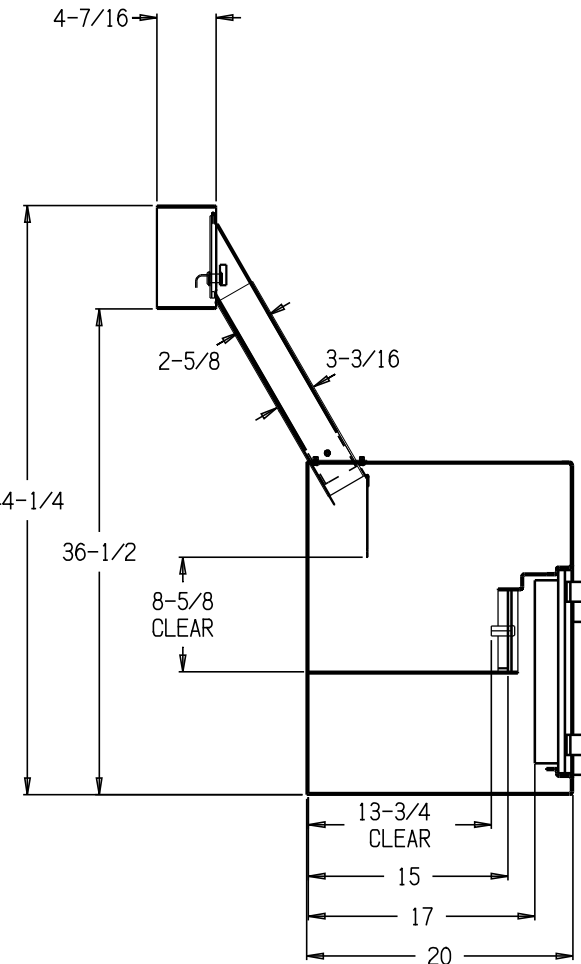
FRONT VIEW
(SHOWN WITHOUT DOOR)



FRONT VIEW

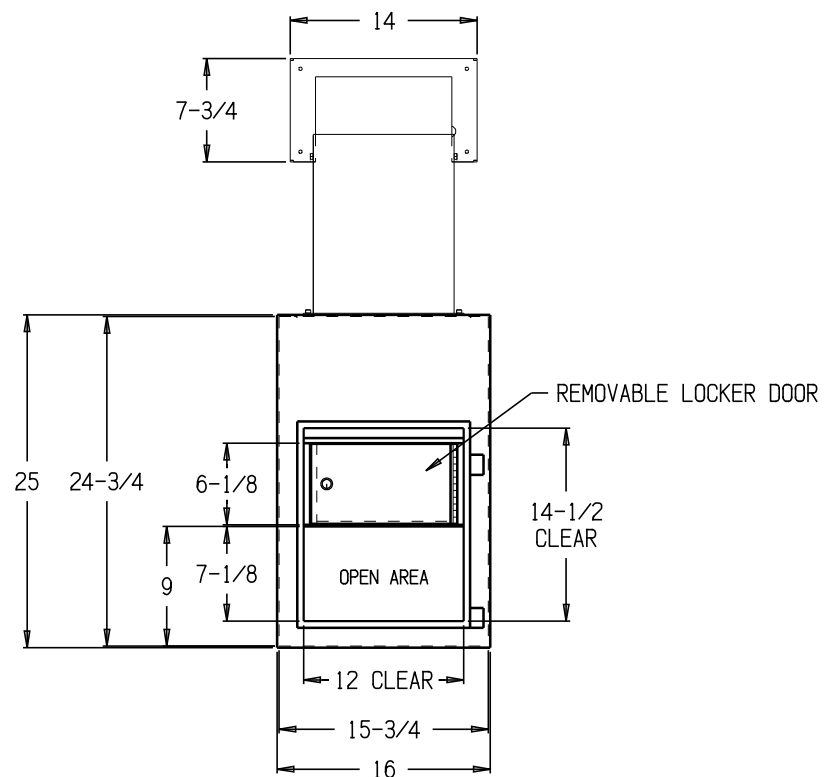
CUSTOMER SIGNATURE			
CUSTOMER NAME			
DATE		DSR2516E2 Till Storage Depository Safe	
COMPANY NAME		ML # DSR2516E2	B Q #
PROPRIETARY INFORMATION UNAUTHORIZED RELEASE WITHOUT EXPRESS WRITTEN PERMISSION OF AMERICAN SECURITY PRODUCTS CO. EXPRESSLY PROHIBITED		SK2017-120	-
DRAWN I. Solis	17 FEB 17	SCALE 1/10	DO NOT SCALE DWG
		SHEET 1 OF 2	

REVISIONS			
REV	DESCRIPTION	DATE	BY

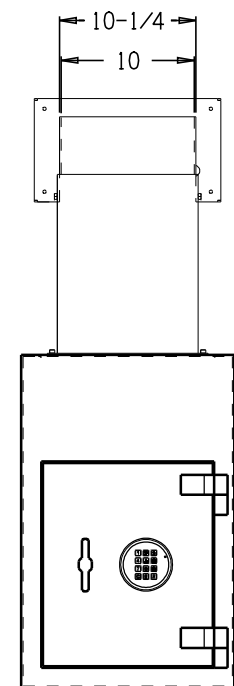


SECTION VIEW

MINIMUM
CHUTE HEIGHT



FRONT VIEW
(SHOWN WITHOUT DOOR)



FRONT VIEW

CUSTOMER SIGNATURE			
CUSTOMER NAME			
DATE		DSR2516E2 Till Storage Depository Safe	
COMPANY NAME		ML # DSR2516E2	B Q #
PROPRIETARY INFORMATION UNAUTHORIZED RELEASE WITHOUT EXPRESS WRITTEN PERMISSION OF AMERICAN SECURITY PRODUCTS CO. EXPRESSLY PROHIBITED		SK2017-120	-
DRAWN I. Solis	17 FEB 17	SCALE 1/10	DO NOT SCALE DWG SHEET 2 OF 2